



AVPRO INC.
Performance. Integrity. Reputation.



Internet



Passengers
14

2017 Gulfstream G550 | SN 5556

2017 Gulfstream G550 | S/N: 5556 | N365GC

AIRCRAFT LISTING DETAILS:

Total Hours: 700

Total Landings: 350

Engines: Rolls Royce BR710 C4-11

	#1	#2
Total Hours:	700	700
Engine Cycles:	350	350
Serial Numbers:	16225	16224

APU: Honeywell RE220GV

Total Hours: 400

AIRCRAFT HIGHLIGHTS:

- Originally Operated as a Gulfstream Demonstrator
- 14 Passenger Forward Galley w/Crew Rest
- Honeywell Swift Broadband World-Wide Internet
- GoGo Biz US Domestic High-Speed Internet
- Synthetic Vision (ASC 061B)
- Planeview Enhanced Navigation (ASC 84D)
- Fully Transferrable Manufacturer Warranties
- Enrolled on Rolls Royce Corporate Care
- APU on MSP Gold

AVIONICS:

- Gulfstream Planeview Avionics
- Synthetic Vision – Primary Flight Display SV-PFD 2.0 (ASC 061B)
- Dual Emergency Vision Assurance System (EVAS)
- Three VHF Navigation Systems
- Micro Quick Access Recorder (ASC 071A)
- Head-Up Display (HUD)
- Enhanced Vision System (EVS)
- Triple FMS
- Dual 24-Channel GPS
- Triple Inertial Reference Systems
- Enhanced GPWS with Windshear
- ACARS System with Satellite Communications Link & Cockpit Printer
- PlaneView XM WX Weather (ASC 085A) – U.S. Coverage
- Traffic Collision Avoidance System
- Terrain Awareness & Warning System
- SATCOM
- Cockpit Voice Recorder
- Flight Data Recorder
- Triple Frequency Emergency Locator Transmitter

2017 Gulfstream G550 | S/N: 5556 | N365GC

CONNECTIVITY:

- Honeywell Inmarsat Satellite Communications System
- Iridium Satellite Communications System
- Swift Broadband HS Data System w/Data Compression Service Capability
- Go-Go Business Aviation Broadband Internet System w/Text & Talk
- Satcom Direct Data Link Service Provider
- Cabin Wiring Provisions for Inmarsat Jet ConneX Ka Broadband Internet

ENTERTAINMENT:

- Airshow 4000 Updates (via High Speed Data System)
- Passenger Address System
- 19" Widescreen HD LCD Monitor Above Credenza
- 24" Widescreen HD LCD Aft Bulkhead Monitor
- Two (2) Color Touch-Screen Remote Controls
- Dual Blu-Ray Players
- Passenger Flight Information System with Worldwide Maps

NAVIGATION COMPLIANCE:

- Planeview Enhanced Navigation (RNP 0.1, FANS, WAAS/LPV) (ASC 084D)
- Runway Awareness Advisory System (RAAS) (ASC 065A)
- ADS-B Out
- RVSM / 8.33 Channel Spacing

WEIGHTS:

Maximum Takeoff.....91,000 lbs.
Maximum Landing.....75,300 lbs.
Maximum Zero Fuel.....54,500 lbs.
Basic Operating.....48,300 lbs.
Maximum Payload 6,200 lbs.
Payload w/Max Fuel..... 1,800 lbs.
Maximum Fuel.....41,300 lbs.

2017 Gulfstream G550 | S/N: 5556 | N365GC

FEATURES/OPTIONS:

- Securaplane External Camera System w/Three (3) Cameras
- Enhanced Soundproofing
- Skylounge Self-Inflating Mattress for Each Seating Group
- One (1) Jetbed Mattress for Single Seat Grouping
- One (1) PrimaDonna Mattress for Single Seat Grouping
- One (1) PrimaDonna Mattress for Double Seat Grouping
- Quartz Polymer Countertops (Galley & Lavatory)
- Tempus IC Telemedicine Monitor
- One (1) Advanced Aviation Medical Kit
- One (1) Nose Gear Manual Control Valve Pin
- One (1) Lap Belt Extension
- Electric Window Shades
- Four (4) Place Berthable Divan
- One (1) Landing Gear
- One (1) Additional Spare Carpet for Vestibule
- 115V/60Hz Utility Outlets throughout Aircraft
- Baggage Hinged Shelf
- Two (2) Hinged Coat Hooks (Aft Bulkhead of Crew Compartment)
- Medco Common Keyed Locks
- Crew Nameplate Holder & Eight (8) Nameplates

INTERIOR:

Exquisite fourteen (14) passenger forward galley configuration featuring enhanced cabin soundproofing. The forward cabin area offers a crew compartment and a galley which offers ample meal service for fourteen (14) passengers; including complete hot/cold meal and beverage service, a color touch-screen control monitor, High Temp Oven, Microwave, Dual Coffee Makers w/Remote & Manual Fill as well as upgraded Quartz Polymer countertops.

The cabin seating offers a forward four (4) place club with pullout tables, following is a mid cabin four (4) place conference group opposite a credenza with convenient monitor. The aft cabin is arranged with a four (4) place divan opposite a two (2) place club seating group. There is a solid bulkhead separating the mid cabin seating area from the aft seating area creating a private aft stateroom.

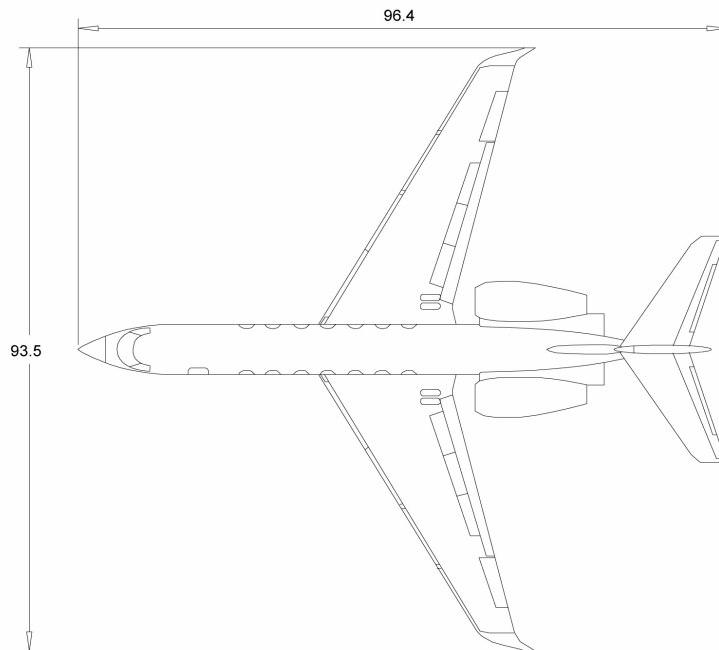
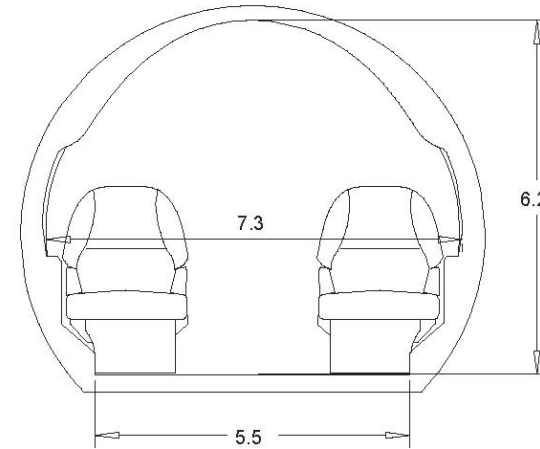
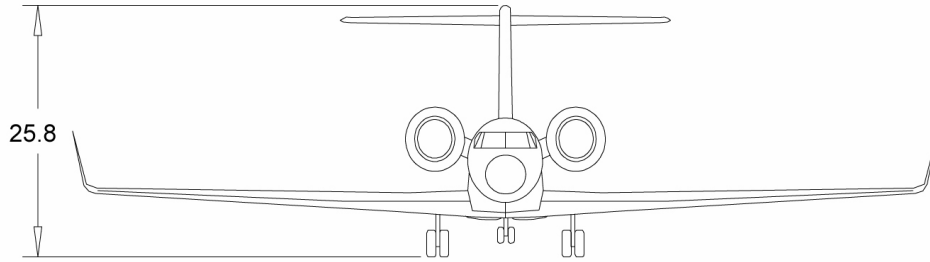
All individual chairs are completed in luxurious leather complimented by the elegantly covered coordinating divan. The carpeting (new in August 2018) compliments the stylish light-colored cabinetry and silver colored plating.

The forward crew and aft passenger lavatories offer upgraded Quartz Polymer countertops.

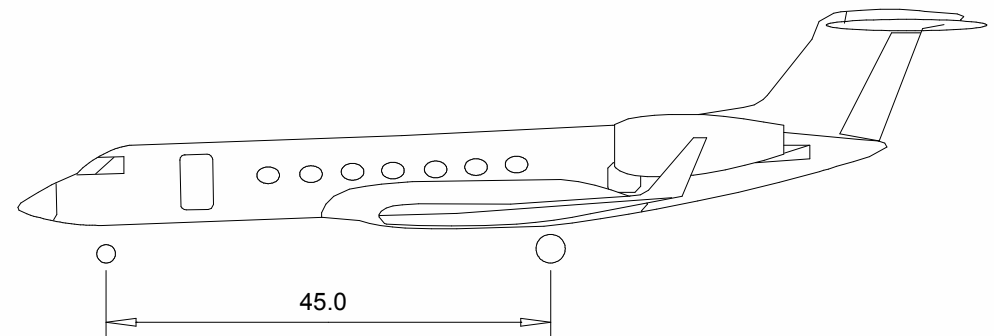
EXTERIOR:

Upper Nose to the top of the aircraft and tip of the tail is painted Medium Gray. The body of the aircraft is overall White featuring Dark Blue and Medium Gray accent striping.

2017 Gulfstream G550 | S/N: 5556 | N365GC



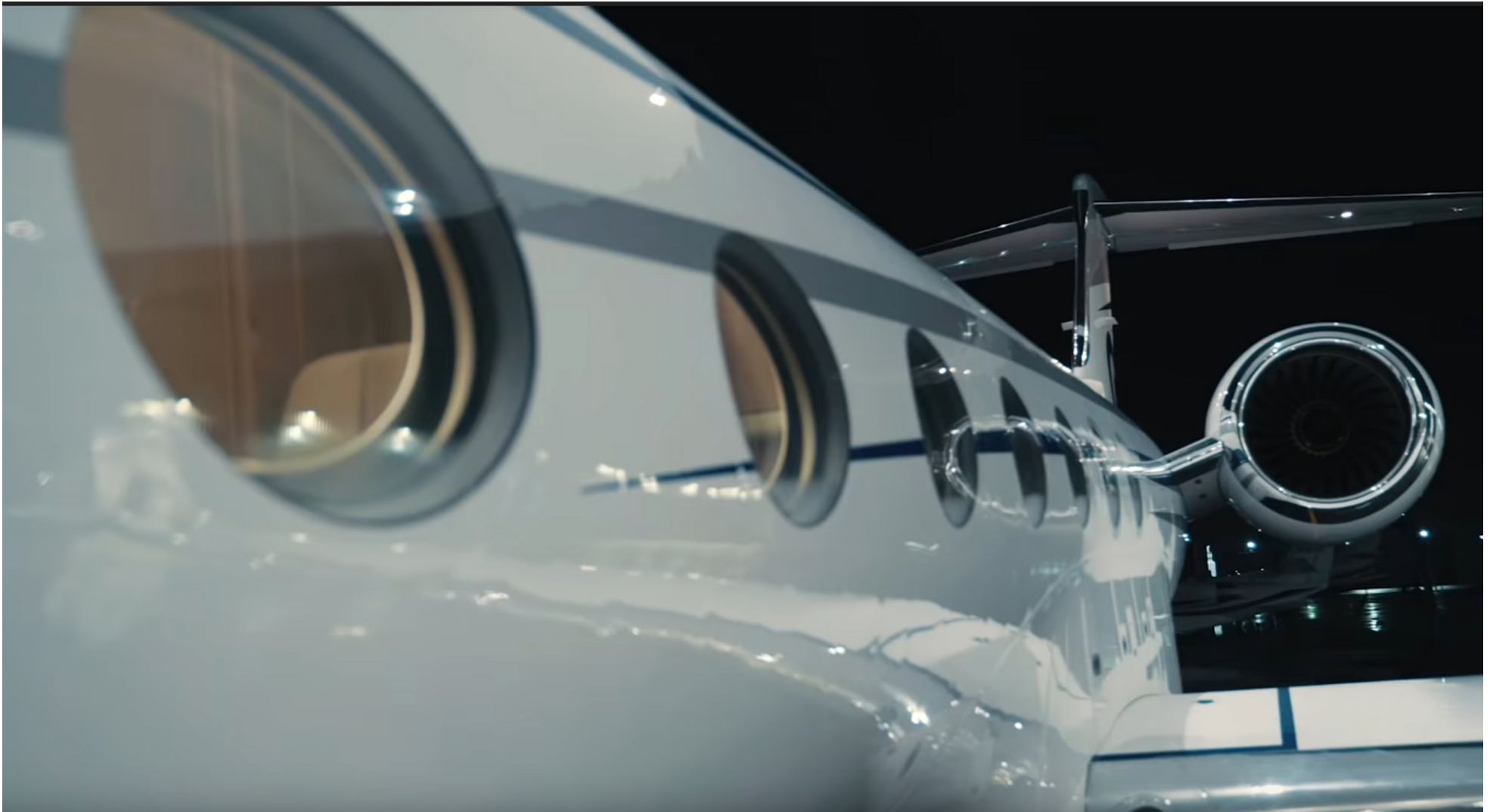
Scale = 1:260



2017 Gulfstream G550 | S/N: 5556 | N365GC



2017 Gulfstream G550 | S/N: 5556 | N365GC



2017 Gulfstream G550 | S/N: 5556 | N365GC



WWW.AVPROJETS.COM

AVPRO, INC.
900 Bestgate Road, Suite 412
Annapolis, Maryland 21401

410.573.1515
Fax: 410.573.1919
E-mail: kwhite@avprojets.com



2017 Gulfstream G550 | S/N: 5556 | N365GC



2017 Gulfstream G550 | S/N: 5556 | N365GC



2017 Gulfstream G550 | S/N: 5556 | N365GC



2017 Gulfstream G550 | S/N: 5556 | N365GC



AVPRO IS ONE OF THE WORLD'S
LARGEST INTERNATIONAL AIRCRAFT
BROKERAGE AND ACQUISITION FIRMS:

We perform for our clients, averaging one transaction a week. We match aircraft to your specifications in a professional and timely manner, allowing you to concentrate on your business, leaving the important details of marketing, market research, negotiating, and contracting to us.

Whether buying, selling or leasing a new or pre-owned aircraft, Avpro is committed to providing superior customer service and creating mutually beneficial long-term customer relationships.

When it's time to buy, lease or sell an aircraft, you want to deal with Avpro, a firm known for its Performance for our clients, Integrity in the way we do business, and Reputation as the key ingredient for future business.

We're one of the world's largest international brokerage, acquisition, and aircraft consulting firms. We specialize in corporate, business and private jet aircraft. We've earned our impressive record by doing one thing very well - providing superior customer service and creating beneficial long-term customer relationships.



PLEASE CALL US TO DISCUSS HOW WE CAN BEST SERVE YOU:

Donald P. Bass
Managing Partner
dbass@avprojets.com

Christopher J. Ellis
Managing Partner
cellis@avprojets.com

Robert W. Rabbitt, Jr.
Managing Partner
brabbitt@avprojets.com

